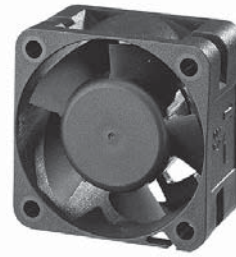

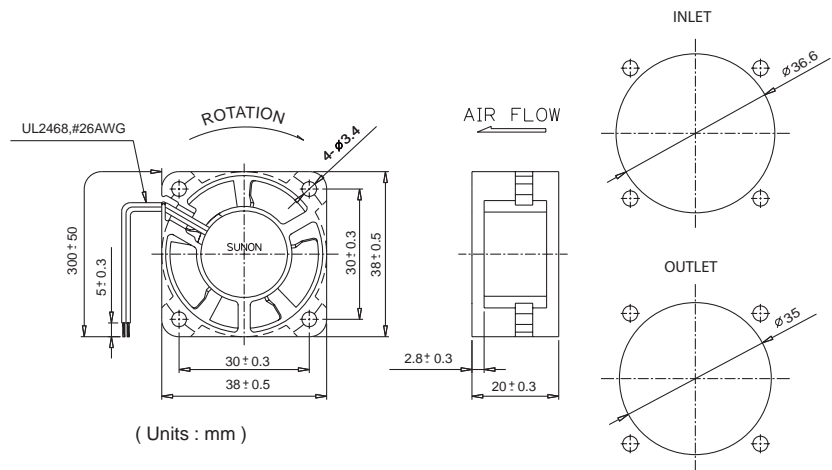
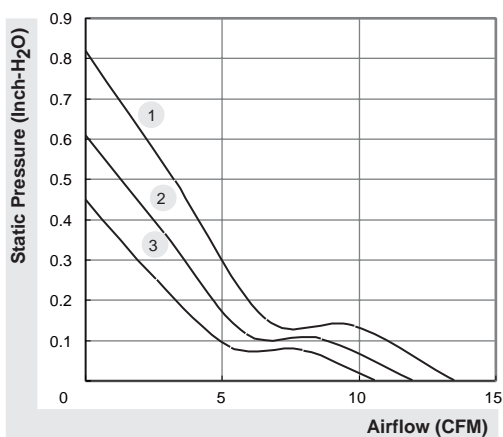


38x38x20 mm

10.6~13.5 CFM



	P/N	Bearing ● 2BALL ○ Sleeve	Rating Voltage (VDC)	Power Current (AMP)	Power Consumption (WATTS)	Speed (RPM)	Air Flow (CFM)	Static Pressure (Inch-H ₂ O)	Noise (dBA)	Weight (g)	Curve
											Curve
PMD1238PKBX-A	(2).GN	●	12	0.36	4.3	15000	13.5	0.82	48.0	27	1
PMD1238PKB1-A	(2).GN	●	12	0.26	3.1	13000	12.0	0.61	44.0	27	2
PMD1238PKB2-A	(2).GN	●	12	0.21	2.5	11000	10.6	0.45	39.0	27	3



*All model could be customized. Please contact with Sunon Sales.

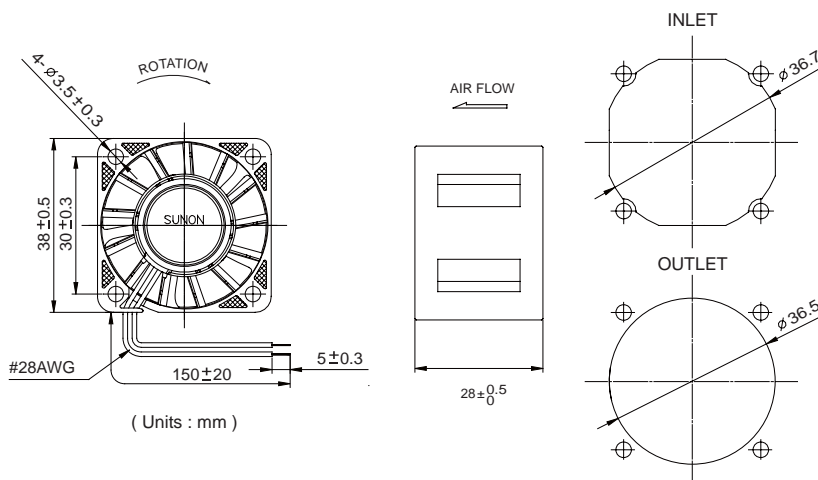
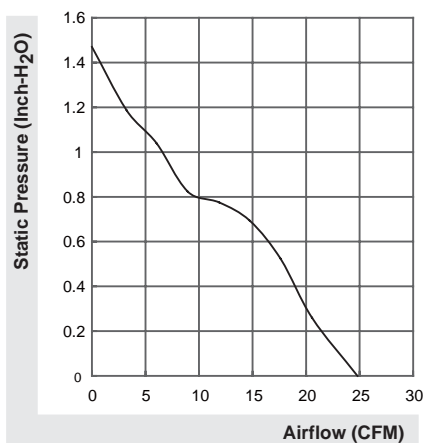
*Specifications are subject to change without notice. Please Visit SUNON web site at <http://www.sunon.com> for update information.

38x38x28 mm

24.8 CFM



Model	Bearing	Rating Voltage (VDC)	Power Current (mA)	Power Consumption (WATTS)	Speed (RPM)	Air Flow (CFM)	Static Pressure (Inch-H ₂ O)	Noise (dBA)	Weight (g)	Curve
SG38281B1-0000-A99	2BALL	12	520	6.24	19000	24.8	1.47	56.2	35.0	1

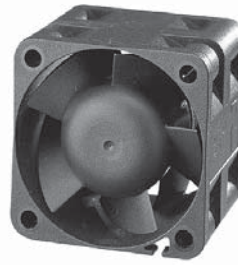



*All model could be customized. Please contact with Sunon Sales.

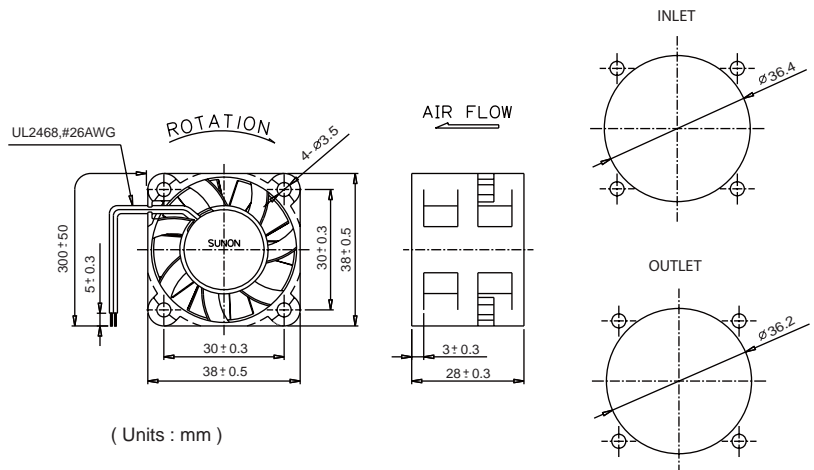
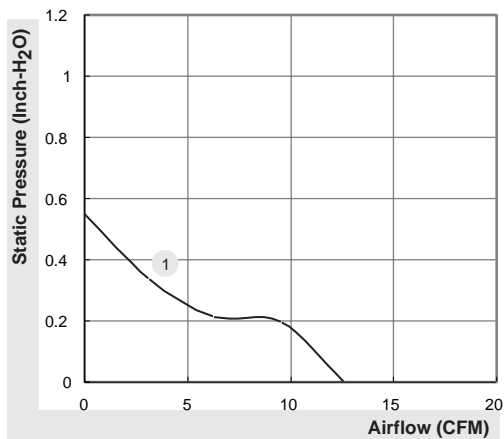
*Specifications are subject to change without notice. Please Visit SUNON web site at <http://www.sunon.com> for update information.

38x38x28 mm

12.6 CFM



	P/N	Bearing ● 2BALL ○ Sleeve	Rating Voltage (VDC)	Power Current (AMP)	Power Consumption (WATTS)	Speed (RPM)	Air Flow (CFM)	Static Pressure (Inch-H ₂ O)	Noise (dBA)	Weight (g)	Curve
PMD1238PQB2-A	(2).GN	●	12	0.19	2.3	10000	12.6	0.55	42.0	35.2	1



*All model could be customized. Please contact with Sunon Sales.

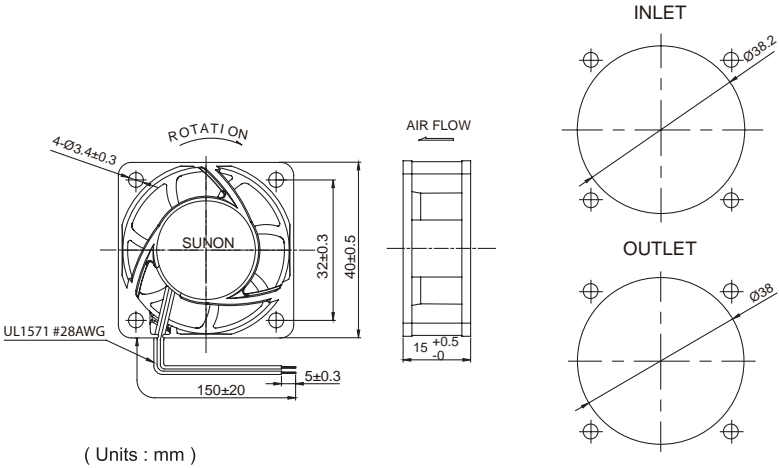
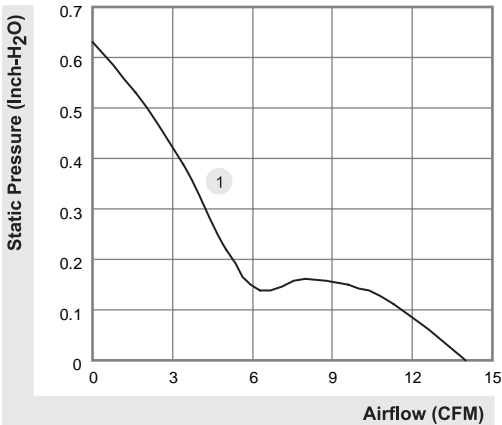
*Specifications are subject to change without notice. Please Visit SUNON web site at <http://www.sunon.com> for update information.

40x40x15 mm

14 CFM



Model	P/N	Bearing ● 2BALL ○ Sleeve	Rating Voltage (VDC)	Power Current (AMP)	Power Consumption (WATTS)	Speed (RPM)	Air Flow (CFM)	Static Pressure (Inch-H ₂ O)	Noise (dBA)	Weight (g)	Curve
PSD1204PHB1-A	(2).Z.GN	●	12	0.24	2.9	12000	14	0.63	44.2	25.85	1
PSD1204PHB1-A	(2).Z.F.PWM.GN	●	12	0.24	2.9	12000	14	0.63	44.2	25.85	1
PSD1204PHB1-A	(2).Z.R.PWM.GN	●	12	0.24	2.9	12000	14	0.63	44.2	25.85	1



*All model could be customized. Please contact with Sunon Sales.

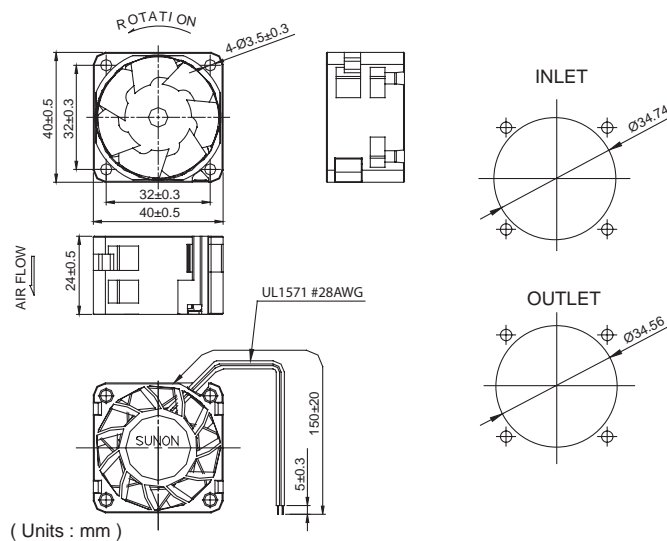
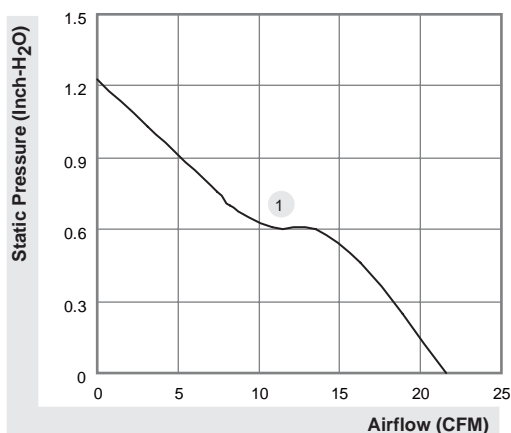
*Specifications are subject to change without notice. Please Visit SUNON web site at <http://www.sunon.com> for update information.

40x40x24 mm

21.6 CFM



Model	P/N	Bearing ● 2BALL ○ Sleeve	Rating Voltage (VDC)	Power Current (AMP)	Power Consumption (WATTS)	Speed (RPM)	Air Flow (CFM)	Static Pressure (Inch-H ₂ O)	Noise (dBA)	Weight (g)	Curve
PSD1204PBB1-A	(2).Z.GN	●	12	0.5	6.0	14700	21.6	1.23	55.7	80	1
PSD1204PBB1-A	(2).Z.F.PWM.GN	●	12	0.5	6.0	14700	21.6	1.23	55.7	80	1
PSD1204PBB1-A	(2).Z.R.PWM.GN	●	12	0.5	6.0	14700	21.6	1.23	55.7	80	1



*All model could be customized. Please contact with Sunon Sales.

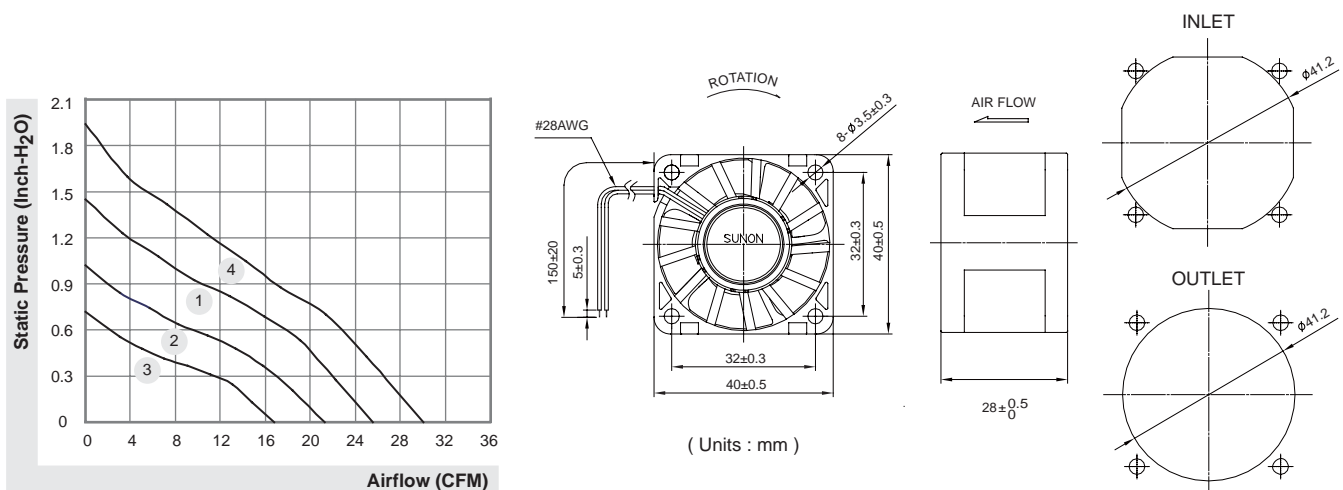
*Specifications are subject to change without notice. Please Visit SUNON web site at <http://www.sunon.com> for update information.

40x40x28 mm

16.8~30.1 CFM



Model	Bearing 2BALL	Rating Voltage (VDC)	Power Current (mA)	Power Consumption (WATTS)	Speed (RPM)	Air Flow (CFM)	Static Pressure (Inch-H ₂ O)	Noise (dBA)	Weight (g)	Curve
SG40281B1-0000-A99	☉	12	520	6.24	19000	25.6	1.45	58.5	35.0	1
SG40281B2-0000-A99	☉	12	350	4.20	16000	21.1	1.02	53.8	35.0	2
SG40281B3-0000-A99	☉	12	220	2.64	13000	16.8	0.72	50.0	35.0	3
SG40281BX-0000-H99	☉	12	670	8.04	21000	30.1	1.94	63.6	35.0	4



*All model could be customized. Please contact with Sunon Sales.

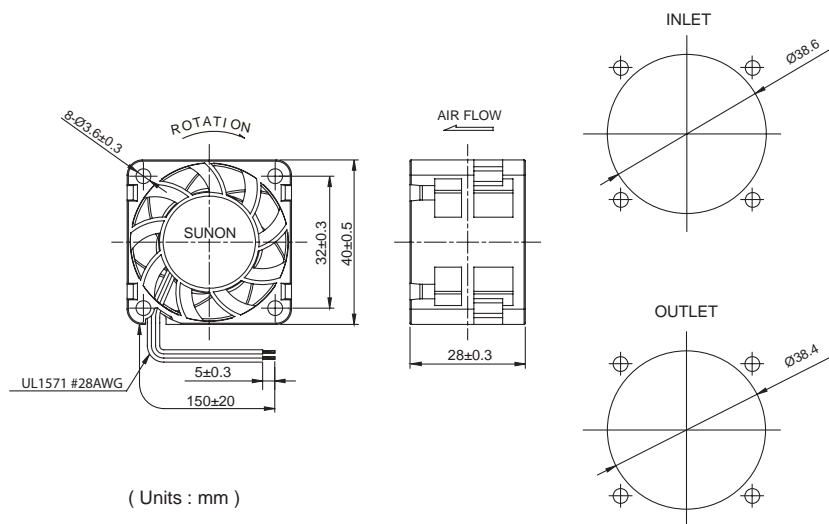
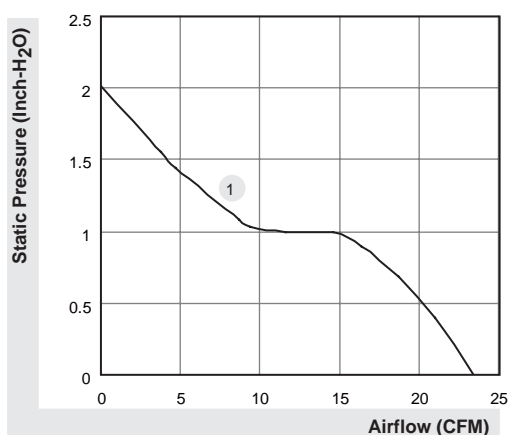
*Specifications are subject to change without notice. Please Visit SUNON web site at <http://www.sunon.com> for update information.

40x40x28 mm



23.4 CFM

Model	P/N	Bearing ● 2BALL ○ Sleeve	Rating Voltage (VDC)	Power Current (AMP)	Power Consumption (WATTS)	Speed (RPM)	Air Flow (CFM)	Static Pressure (Inch-H ₂ O)	Noise (dBA)	Weight (g)	Curve
PSD1204PQBX-A	(2).Z.GN	●	12	0.75	9.0	19000	23.4	2.01	59.9	43	1
PSD1204PQBX-A	(2).Z.F.PWM.GN	●	12	0.75	9.0	19000	23.4	2.01	59.9	43	1
PSD1204PQBX-A	(2).Z.R.PWM.GN	●	12	0.75	9.0	19000	23.4	2.01	59.9	43	1



*All model could be customized. Please contact with Sunon Sales.

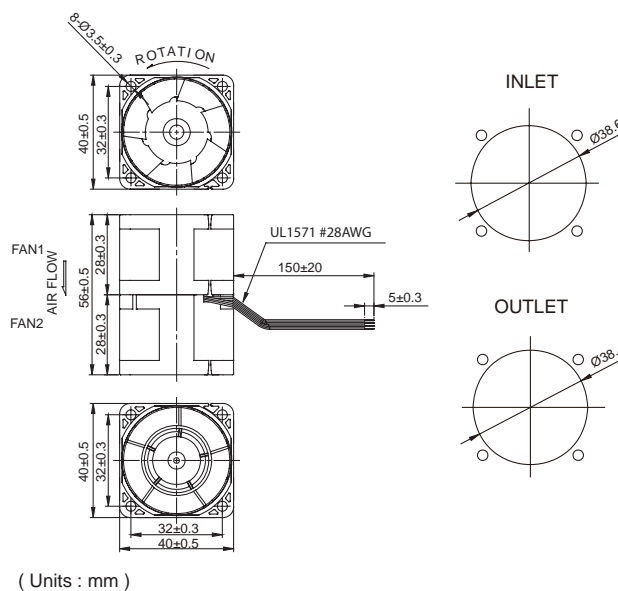
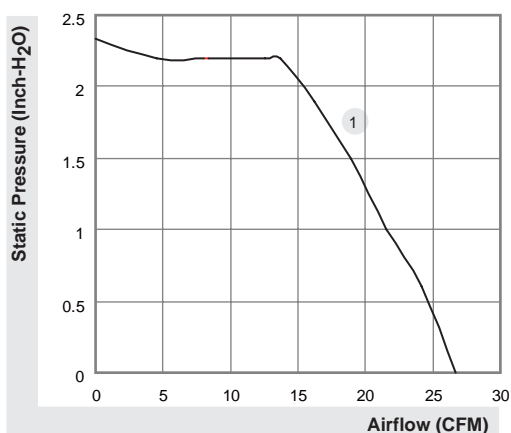
*Specifications are subject to change without notice. Please Visit SUNON web site at <http://www.sunon.com> for update information.

40x40x56 mm

26.7 CFM



Model	P/N	Bearing ● 2BALL ○ Sleeve	Rating Voltage (VDC)	Power Current (AMP)	Power Consumption (WATTS)	Speed (RPM)	Air Flow (CFM)	Static Pressure (Inch-H ₂ O)	Noise (dBA)	Weight (g)	Curve
PMD1204PPBX-A	(2).Z.GN	●	12	1.09	13.1	17600/13500	26.7	2.33	66.6	86	1
PMD1204PPBX-A	(2).Z.F.PWM.GN	●	12	1.09	13.1	17600/13500	26.7	2.33	66.6	86	1
PMD1204PPBX-A	(2).Z.R.PWM.GN	●	12	1.09	13.1	17600/13500	26.7	2.33	66.6	86	1



(Units : mm)


*All model could be customized. Please contact with Sunon Sales.


*Specifications are subject to change without notice. Please Visit SUNON web site at <http://www.sunon.com> for update information.

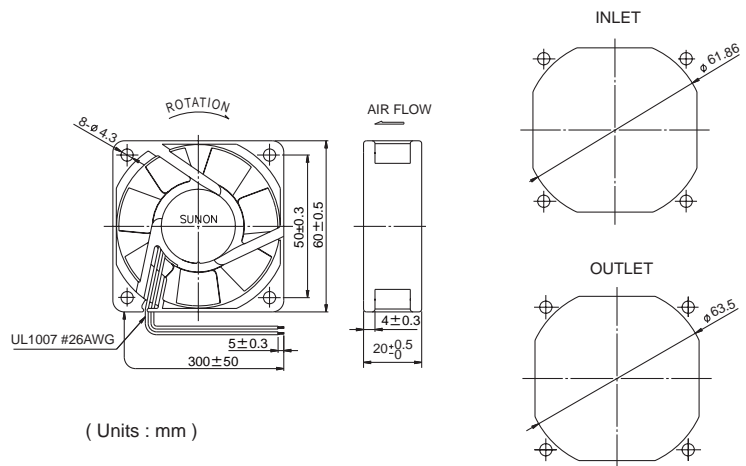
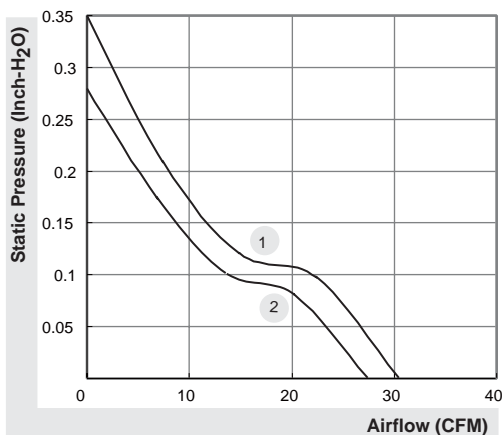
60x60x20 mm

27.5~30.5 CFM



	P/N	Bearing	Rating Voltage (VDC)	Power Current (AMP)	Power Consumption (WATTS)	Speed (RPM)	Air Flow (CFM)	Static Pressure (Inch-H ₂ O)	Noise (dBA)	Weight (g)	Curve
PMD1206PKVX-A	GN	●	12	0.275	3.3	5500	30.5	0.35	40	55	1
PMD1206PKV1-A	GN	●	12	0.228	2.7	5000	27.5	0.28	38	55	2
PMD2406PKVX-A	GN	●	24	0.157	3.8	5500	30.5	0.35	40	55	1
PMD2406PKV1-A	GN	●	24	0.125	3.0	5000	27.5	0.28	38	55	2

Model	P/N		(VDC)	(AMP)	(WATTS)	(RPM)	(CFM)	(Inch-H ₂ O)	(dBA)	(g)	Curve
PMD1206PKBX-A	(2).GN	○	12	0.274	3.3	5500	30.5	0.35	41	55	1
PMD1206PKB1-A	(2).GN	○	12	0.22	2.6	5000	27.5	0.28	39	55	2
PMD2406PKBX-A	(2).GN	○	24	0.151	3.6	5500	30.5	0.35	41	55	1
PMD2406PKB1-A	(2).GN	○	24	0.122	2.9	5000	27.5	0.28	39	55	2



*All model could be customized. Please contact with Sunon Sales.

*Specifications subject to change without notice. Please Visit SUNON web site at <http://www.sunon.com> for update information.

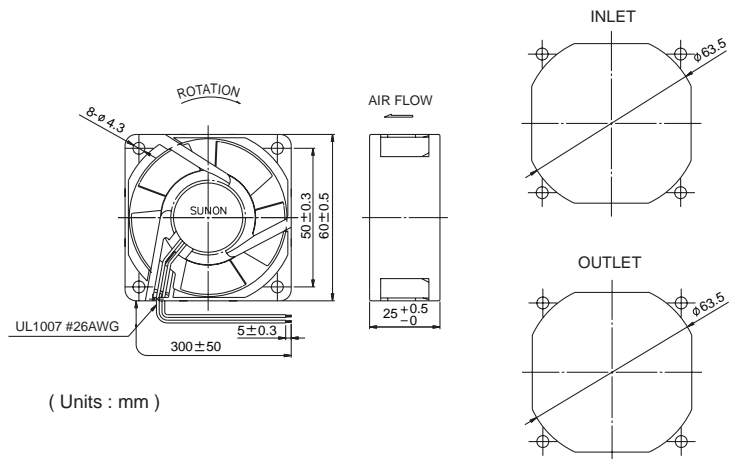
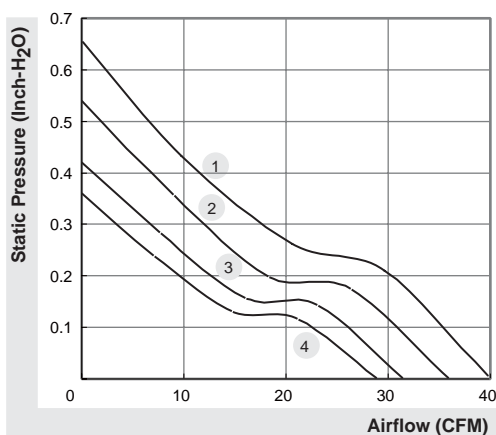
60x60x25 mm

29~40 CFM



MAGLeV by SUNON	P/N	Bearing	Rating Voltage (VDC)	Power Current (AMP)	Power Consumption (WATTS)	Speed (RPM)	Air Flow (CFM)	Static Pressure (Inch-H ₂ O)	Noise (dBA)	Weight (g)	Curve
PMD1206PTVX-A	U.GN	●	12	0.446	5.4	7600	40.0	0.64	45	75	1
PMD1206PTV1-A	U.GN	●	12	0.357	4.3	6900	36.0	0.54	43	75	2
PMD1206PTV2-A	U.GN	●	12	0.269	3.2	6100	31.5	0.42	41	75	3
PMD1206PTV3-A	U.GN	●	12	0.235	2.8	5600	29.0	0.36	37	75	4
PMD2406PTVX-A	U.GN	●	24	0.207	5.0	7600	40.0	0.64	45	75	1
PMD2406PTV1-A	U.GN	●	24	0.181	4.3	6900	36.0	0.54	43	75	2
PMD2406PTV2-A	U.GN	●	24	0.131	3.1	6100	31.5	0.42	41	75	3
PMD2406PTV3-A	U.GN	●	24	0.114	2.7	5600	29.0	0.36	37	75	4
PMD4806PTVX-A	U.GN	●	48	0.114	5.5	7600	40.0	0.64	45	75	1
PMD4806PTV1-A	U.GN	●	48	0.099	4.8	6900	36.0	0.54	43	75	2
PMD4806PTV2-A	U.GN	●	48	0.078	3.7	6100	31.5	0.42	41	75	3
PMD4806PTV3-A	U.GN	●	48	0.069	3.3	5600	29.0	0.36	37	75	4

Model	P/N	2BALL Sleeve	(VDC)	(AMP)	(WATTS)	(RPM)	(CFM)	(Inch-H ₂ O)	(dBA)	(g)	Curve
PMD1206PTBX-A	(2).U.GN	⊙	12	0.41	4.9	7600	40.0	0.64	46	75	1
PMD1206PTB1-A	(2).U.GN	⊙	12	0.325	3.9	6900	36.0	0.54	44	75	2
PMD1206PTB2-A	(2).U.GN	⊙	12	0.258	3.1	6100	31.5	0.42	42	75	3
PMD1206PTB3-A	(2).U.GN	⊙	12	0.217	2.6	5600	29.0	0.36	38	75	4
PMD2406PTBX-A	(2).U.GN	⊙	24	0.197	4.7	7600	40.0	0.64	46	75	1
PMD2406PTB1-A	(2).U.GN	⊙	24	0.158	3.8	6900	36.0	0.54	44	75	2
PMD2406PTB2-A	(2).U.GN	⊙	24	0.121	2.9	6100	31.5	0.42	42	75	3
PMD2406PTB3-A	(2).U.GN	⊙	24	0.104	2.5	5600	29.0	0.36	38	75	4
PMD4806PTBX-A	(2).U.GN	⊙	48	0.112	5.4	7600	40.0	0.64	46	75	1
PMD4806PTB1-A	(2).U.GN	⊙	48	0.09	4.3	6900	36.0	0.54	44	75	2
PMD4806PTB2-A	(2).U.GN	⊙	48	0.072	3.5	6100	31.5	0.42	42	75	3
PMD4806PTB3-A	(2).U.GN	⊙	48	0.068	3.3	5600	29.0	0.36	38	75	4



*All model could be customized. Please contact with Sunon Sales.

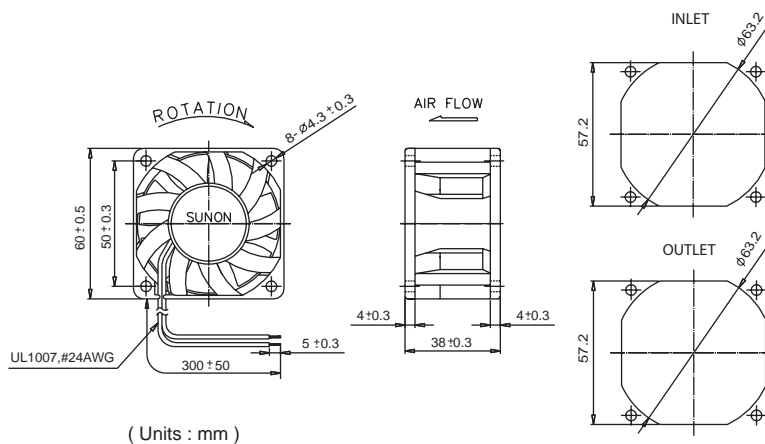
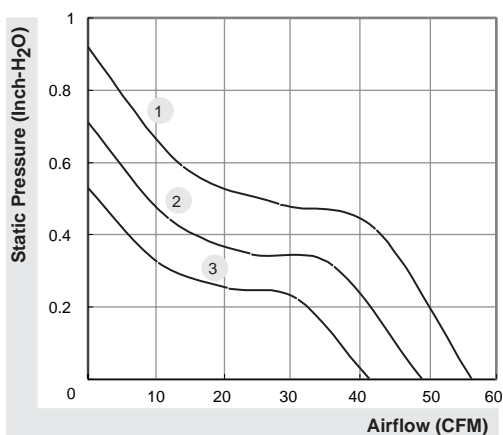
*Specifications subject to change without notice. Please Visit SUNON web site at <http://www.sunon.com> for update information.

60x60x38 mm

41.5~56.5 CFM



Model	P/N	Bearing ● 2BALL ○ Sleeve	Rating Voltage (VDC)	Power Current (AMP)	Power Consumption (WATTS)	Speed (RPM)	Air Flow (CFM)	Static Pressure (Inch-H ₂ O)	Noise (dBA)	Weight (g)	Curve
PMD1206PMB1-A	(2).GN	●	12	0.88	10.6	8000	56.5	0.92	56	90	1
PMD1206PMB2-A	(2).GN	●	12	0.58	7.0	7000	49.2	0.71	52	90	2
PMD1206PMB3-A	(2).GN	●	12	0.43	5.2	6000	41.5	0.53	47	90	3
PMD2406PMB1-A	(2).GN	●	24	0.43	10.3	8000	56.5	0.92	56	90	1
PMD2406PMB2-A	(2).GN	●	24	0.31	7.4	7000	49.2	0.71	52	90	2
PMD2406PMB3-A	(2).GN	●	24	0.22	5.3	6000	41.5	0.53	47	90	3
PMD4806PMB1-A	(2).GN	●	48	0.24	11.5	8000	56.5	0.92	56	90	1
PMD4806PMB2-A	(2).GN	●	48	0.18	8.6	7000	49.2	0.71	52	90	2
PMD4806PMB3-A	(2).GN	●	48	0.13	6.2	6000	41.5	0.53	47	90	3



*All model could be customized. Please contact with Sunon Sales.

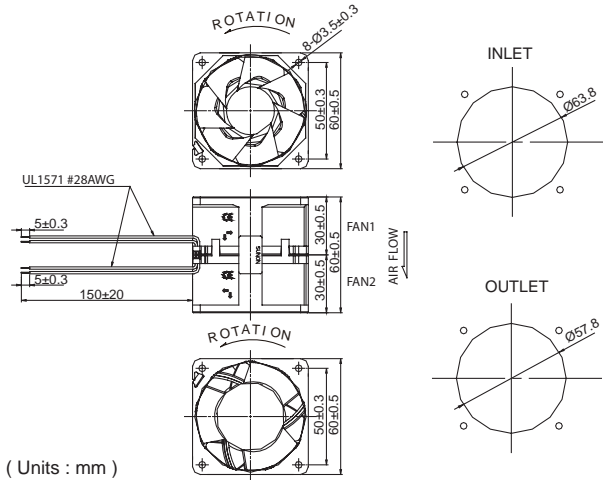
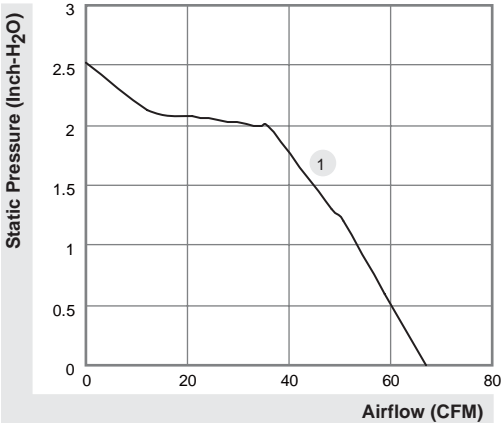
*Specifications subject to change without notice. Please Visit SUNON web site at <http://www.sunon.com> for update information.

60x60x60 mm

67 CFM



Model	P/N	Bearing ● 2BALL ○ Sleeve	Rating Voltage (VDC)	Power Current (AMP)	Power Consumption (WATTS)	Speed (RPM)	Air Flow (CFM)	Static Pressure (Inch-H ₂ O)	Noise (dBA)	Weight (g)	Curve
PSD1206PWB1-A	(2).Z.GN	●	12	1.69	20.3	11500/11000	67	2.53	66.3	203	1
PSD1206PWB1-A	(2).Z.F.PWM.GN	●	12	1.69	20.3	11500/11000	67	2.53	66.3	203	1
PSD1206PWB1-A	(2).Z.R.PWM.GN	●	12	1.69	20.3	11500/11000	67	2.53	66.3	203	1




(Units : mm)

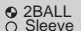
*All model could be customized. Please contact with Sunon Sales.
 *Specifications are subject to change without notice. Please Visit SUNON web site at <http://www.sunon.com> for update information.

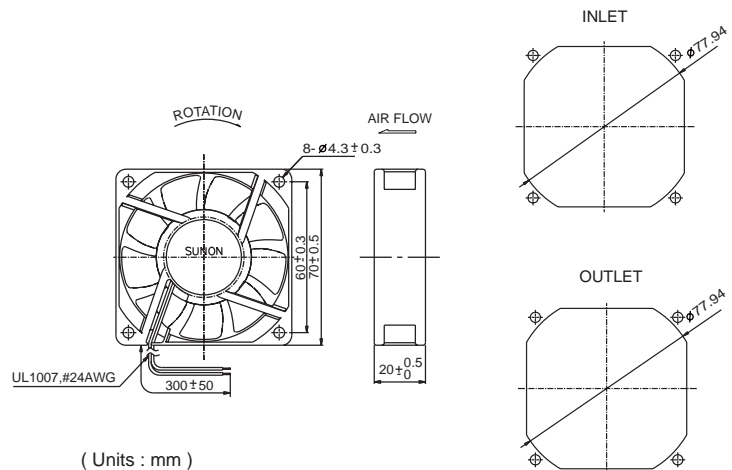
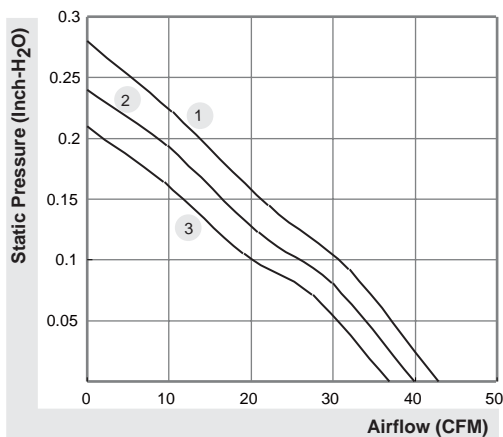
70x70x20 mm

37~43 CFM



	P/N	Bearing	Rating Voltage (VDC)	Power Current (AMP)	Power Consumption (WATTS)	Speed (RPM)	Air Flow (CFM)	Static Pressure (Inch-H ₂ O)	Noise (dBA)	Weight (g)	Curve
PMD1207PKV1-A	GN	●	12	0.39	4.7	4600	43	0.28	41.5	80	1
PMD1207PKV2-A	GN	●	12	0.31	3.7	4300	40	0.24	40.0	80	2
PMD1207PKV3-A	GN	●	12	0.26	3.1	4000	37	0.21	37.5	80	3
PMD2407PKV1-A	GN	●	24	0.21	5.0	4600	43	0.28	41.5	80	1
PMD2407PKV2-A	GN	●	24	0.17	4.1	4300	40	0.24	40.0	80	2
PMD2407PKV3-A	GN	●	24	0.14	3.4	4000	37	0.21	37.5	80	3

Model	P/N		(VDC)	(AMP)	(WATTS)	(RPM)	(CFM)	(Inch-H ₂ O)	(dBA)	(g)	Curve
PMD1207PKB1-A	(2).GN	⊙	12	0.39	4.7	4600	43	0.28	42.5	80	1
PMD1207PKB2-A	(2).GN	⊙	12	0.31	3.7	4300	40	0.24	41.0	80	2
PMD1207PKB3-A	(2).GN	⊙	12	0.26	3.1	4000	37	0.21	38.5	80	3
PMD2407PKB1-A	(2).GN	⊙	24	0.21	5.0	4600	43	0.28	42.5	80	1
PMD2407PKB2-A	(2).GN	⊙	24	0.17	4.1	4300	40	0.24	41.0	80	2
PMD2407PKB3-A	(2).GN	⊙	24	0.14	3.4	4000	37	0.21	38.5	80	3

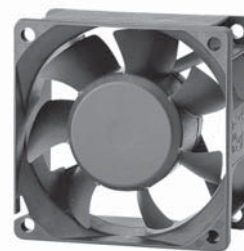


*All model could be customized. Please contact with Sunon Sales.

*Specifications subject to change without notice. Please Visit SUNON web site at <http://www.sunon.com> for update information.

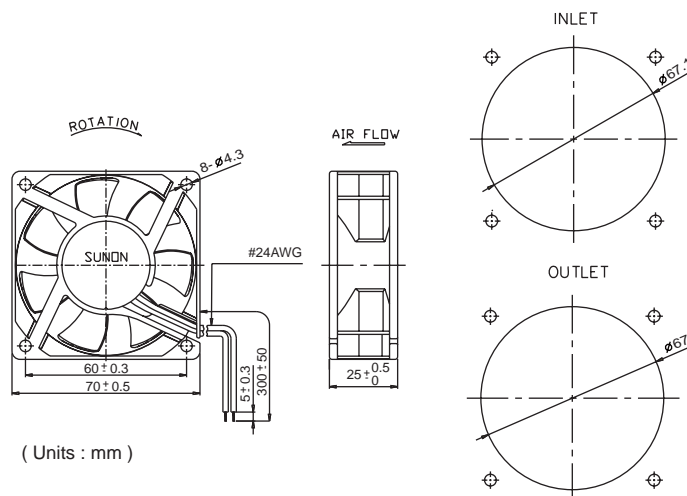
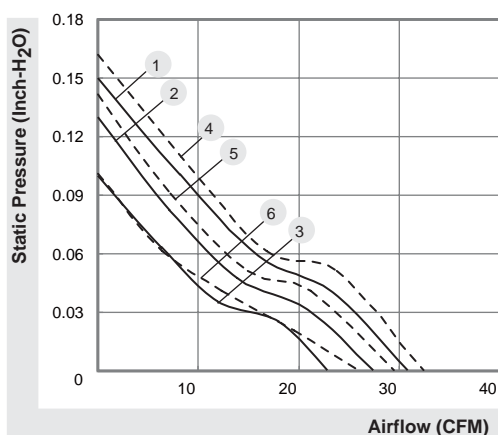
70x70x25 mm

24~32.5 CFM



MAGLev by SUNON	P/N	Bearing	Rating Voltage (VDC)	Power Current (AMP)	Power Consumption (WATTS)	Speed (RPM)	Air Flow (CFM)	Static Pressure (Inch-H ₂ O)	Noise (dBA)	Weight (g)	Curve
KDE1207PTV1	13.MS.A.GN	●	12	0.12	1.4	3200	31.0	0.15	32	70	1
KDE1207PTV2	13.MS.A.GN	●	12	0.09	1.1	2900	28.0	0.13	29	70	2
KDE1207PTV3	13.MS.A.GN	●	12	0.06	0.7	2500	24.0	0.10	25	70	3
KDE2407PTV1	13.MS.A.GN	●	24	0.06	1.4	3200	31.0	0.15	32	72	1
KDE2407PTV2	13.MS.A.GN	●	24	0.05	1.2	2900	28.0	0.13	29	72	2
KDE2407PTV3	13.MS.A.GN	●	24	0.04	1.0	2500	24.0	0.10	25	72	3

Model	P/N	2BALL Sleeve	(VDC)	(AMP)	(WATTS)	(RPM)	(CFM)	(Inch-H ₂ O)	(dBA)	(g)	Curve
KD1207PTB1	13.(2).GN	⊕	12	0.12	1.4	3400	32.5	0.16	33	70	4
KD1207PTB2	13.(2).GN	⊕	12	0.1	1.2	3100	29.5	0.14	31	70	5
KD1207PTB3	13.(2).GN	⊕	12	0.07	0.8	2700	26.0	0.10	28	70	6
KD1207PTS1	13.GN	○	12	0.13	1.6	3200	31.0	0.15	32	70	1
KD1207PTS2	13.GN	○	12	0.1	1.2	2900	28.0	0.13	29	70	2
KD1207PTS3	13.GN	○	12	0.08	1.0	2500	24.0	0.10	25	70	3
KD2407PTB1	13.(2).GN	⊕	24	0.06	1.4	3400	32.5	0.16	33	72	4
KD2407PTB2	13.(2).GN	⊕	24	0.05	1.2	3100	29.5	0.14	31	72	5
KD2407PTB3	13.(2).GN	⊕	24	0.04	1.0	2700	26.0	0.10	28	72	6
KD2407PTS1	13.GN	○	24	0.06	1.4	3200	31.0	0.15	32	72	1
KD2407PTS2	13.GN	○	24	0.05	1.2	2900	28.0	0.13	29	72	2
KD2407PTS3	13.GN	○	24	0.04	1.0	2500	24.0	0.10	25	72	3




*All model could be customized. Please contact with Sunon Sales.

*Specifications are subject to change without notice. Please Visit SUNON web site at <http://www.sunon.com> for update information.

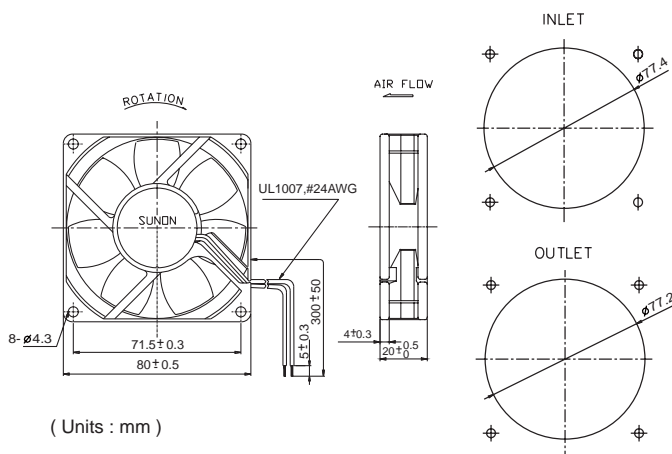
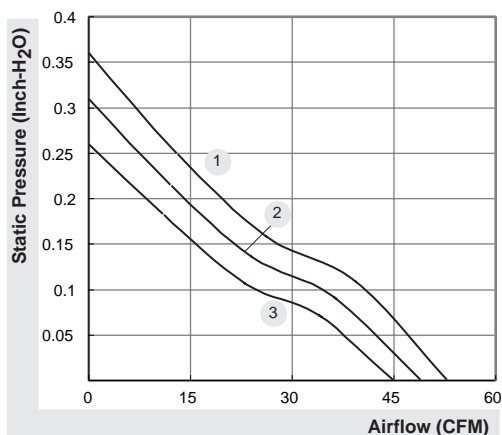
80x80x20 mm

45~53 CFM



	P/N	Bearing	Rating Voltage (VDC)	Power Current (AMP)	Power Consumption (WATTS)	Speed (RPM)	Air Flow (CFM)	Static Pressure (Inch-H ₂ O)	Noise (dBA)	Weight (g)	Curve
PMD1208PKV1-A	GN	●	12	0.39	4.7	4600	53	0.36	48	85	1
PMD1208PKV2-A	GN	●	12	0.31	3.7	4200	49	0.31	45	85	2
PMD1208PKV3-A	GN	●	12	0.26	3.1	3900	45	0.26	43	85	3
PMD2408PKV1-A	GN	●	24	0.21	5.0	4600	53	0.36	48	85	1
PMD2408PKV2-A	GN	●	24	0.17	4.1	4200	49	0.31	45	85	2
PMD2408PKV3-A	GN	●	24	0.14	3.4	3900	45	0.26	43	85	3

Model	P/N	2BALL Sleeve	(VDC)	(AMP)	(WATTS)	(RPM)	(CFM)	(Inch-H ₂ O)	(dBA)	(g)	Curve
PMD1208PKB1-A	(2).GN	⊙	12	0.39	4.7	4600	53	0.36	49	85	1
PMD1208PKB2-A	(2).GN	⊙	12	0.31	3.7	4200	49	0.31	46	85	2
PMD1208PKB3-A	(2).GN	⊙	12	0.26	3.1	3900	45	0.26	44	85	3
PMD2408PKB1-A	(2).GN	⊙	24	0.21	5.0	4600	53	0.36	49	85	1
PMD2408PKB2-A	(2).GN	⊙	24	0.17	4.1	4200	49	0.31	46	85	2
PMD2408PKB3-A	(2).GN	⊙	24	0.14	3.4	3900	45	0.26	44	85	3




*All model could be customized. Please contact with Sunon Sales.

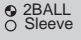
*Specifications subject to change without notice. Please Visit SUNON web site at <http://www.sunon.com> for update information.

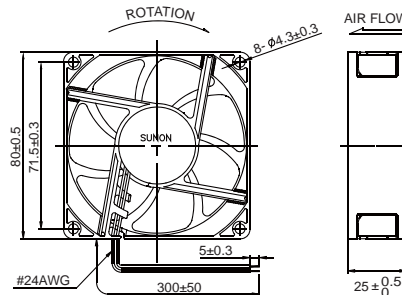
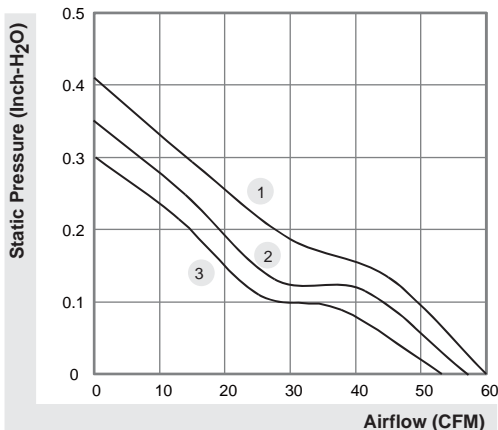
80x80x25 mm

53.0~60.0 CFM

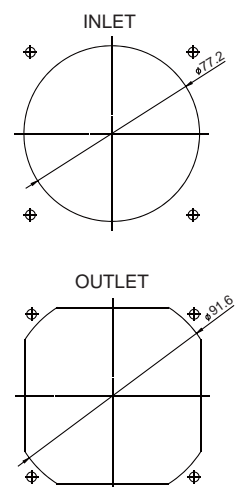


	Bearing	Rating Voltage (VDC)	Power Current (mA)	Power Consumption (WATTS)	Speed (RPM)	Air Flow (CFM)	Static Pressure (Inch-H ₂ O)	Noise (dBA)	Weight (g)	Curve
	● VAPO									
PF80251V1-0000-A99	●	12	341	4.10	4800	60.0	0.41	46.5	91.0	1
PF80251V2-0000-A99	●	12	285	3.40	4500	57.0	0.35	45.0	91.0	2
PF80251V3-0000-A99	●	12	223	2.70	4200	53.0	0.30	43.5	91.0	3
PE80252V1-0000-A99	●	24	200	4.80	4800	60.0	0.41	46.5	91.0	1
PE80252V2-0000-A99	●	24	166	3.99	4500	57.0	0.35	45.0	91.0	2
PE80252V3-0000-A99	●	24	137	3.29	4200	53.0	0.30	43.5	91.0	3
PE80254V1-0000-A99	●	48	114	5.48	4800	60.0	0.41	46.5	91.0	1
PE80254V2-0000-A99	●	48	100	4.80	4500	57.0	0.35	45.0	91.0	2
PE80254V3-0000-A99	●	48	92	4.42	4200	53.0	0.30	43.5	91.0	3

Model		(VDC)	(mA)	(WATTS)	(RPM)	(CFM)	(Inch-H ₂ O)	(dBA)	(g)	Curve
PF80251B1-0000-A99	☉	12	341	4.10	4800	60.0	0.41	47.5	91.0	1
PF80251B2-0000-A99	☉	12	285	3.40	4500	57.0	0.35	46.0	91.0	2
PF80251B3-0000-A99	☉	12	223	2.70	4200	53.0	0.30	44.5	91.0	3
PE80252B1-0000-A99	☉	24	200	4.80	4800	60.0	0.41	47.5	91.0	1
PE80252B2-0000-A99	☉	24	166	3.99	4500	57.0	0.35	46.0	91.0	2
PE80252B3-0000-A99	☉	24	137	3.29	4200	53.0	0.30	44.5	91.0	3
PE80254B1-0000-A99	☉	48	114	5.48	4800	60.0	0.41	47.5	91.0	1
PE80254B2-0000-A99	☉	48	100	4.80	4500	57.0	0.35	46.0	91.0	2
PE80254B3-0000-A99	☉	48	92	4.42	4200	53.0	0.30	44.5	91.0	3



(Units : mm)



*All model could be customized. Please contact with Sunon Sales.

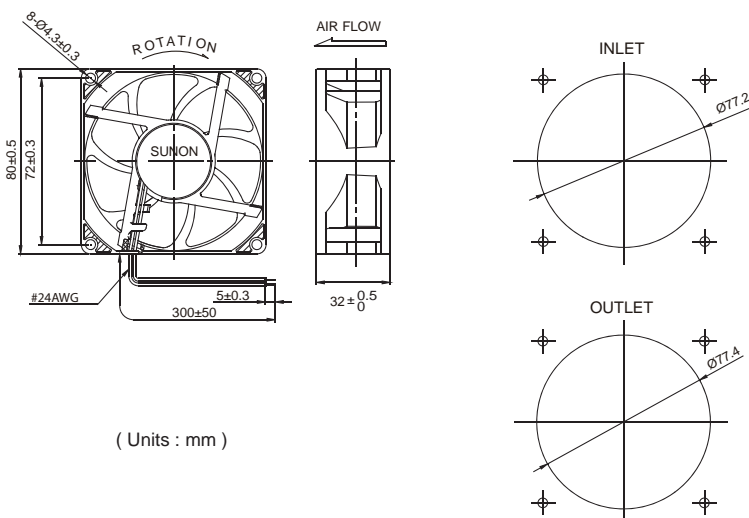
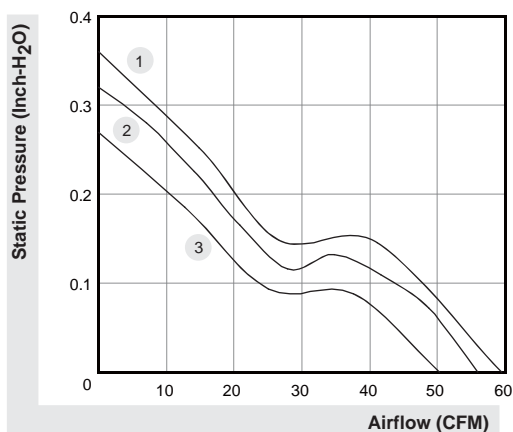
*Specifications are subject to change without notice. Please Visit SUNON web site at <http://www.sunon.com> for update information.

80x80x32 mm

50.3~59.4 CFM



Model	P/N	Bearing ● 2BALL ○ Sleeve	Rating Voltage (VDC)	Power Current (mA)	Power Consumption (WATTS)	Speed (RPM)	Air Flow (CFM)	Static Pressure (Inch-H ₂ O)	Noise (dBA)	Weight (g)	Curve
PF80321B1-0000-A99		●	12	310	3.7	4800	59.4	0.36	45.2	96.0	1
PF80321B2-0000-A99		●	12	230	2.8	4500	55.9	0.32	43.1	96.0	2
PF80321B3-0000-A99		●	12	200	2.4	4100	50.3	0.27	41.1	96.0	3



*All model could be customized. Please contact with Sunon Sales.

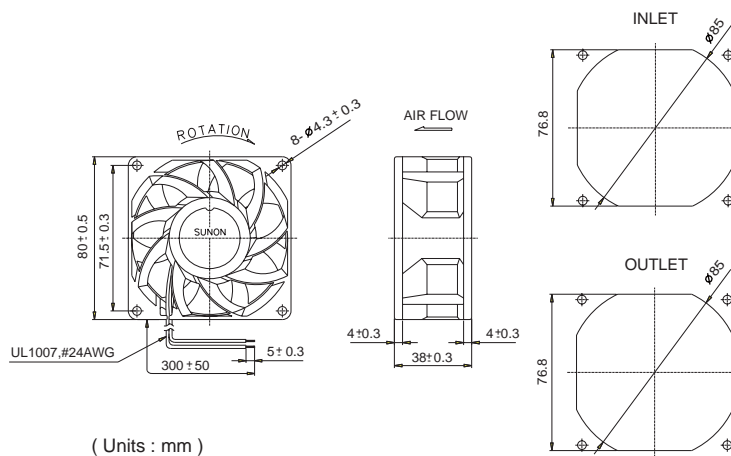
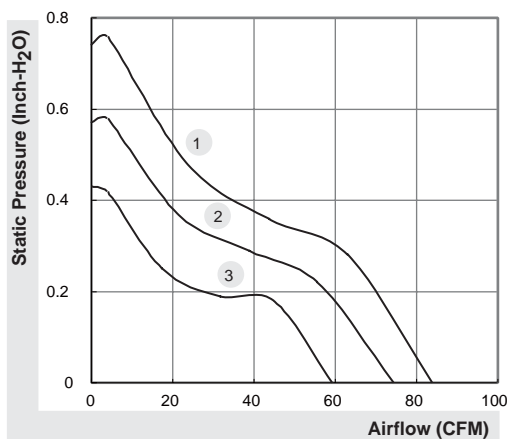
*Specifications subject to change without notice. Please Visit SUNON web site at <http://www.sunon.com> for update information.

80x80x38 mm

59.5~84.1 CFM



Model	P/N	Bearing ● 2BALL ○ Sleeve	Rating Voltage (VDC)	Power Current (AMP)	Power Consumption (WATTS)	Speed (RPM)	Air Flow (CFM)	Static Pressure (Inch-H ₂ O)	Noise (dBA)	Weight (g)	Curve
PMD1208PMB1-A	(2).GN	●	12	0.76	9.1	5700	84.1	0.74	55.2	175	1
PMD1208PMB2-A	(2).GN	●	12	0.53	6.4	4900	74.5	0.57	51.6	175	2
PMD1208PMB3-A	(2).GN	●	12	0.37	4.4	4200	59.5	0.43	47.3	175	3
PMD2408PMB1-A	(2).GN	●	24	0.40	9.6	5700	84.1	0.74	55.2	175	1
PMD2408PMB2-A	(2).GN	●	24	0.30	7.2	4900	74.5	0.57	51.6	175	2
PMD2408PMB3-A	(2).GN	●	24	0.20	4.8	4200	59.5	0.43	47.3	175	3
PMD4808PMB1-A	(2).GN	●	48	0.19	9.1	5700	84.1	0.74	55.2	175	1
PMD4808PMB2-A	(2).GN	●	48	0.14	6.7	4900	74.5	0.57	51.6	175	2
PMD4808PMB3-A	(2).GN	●	48	0.10	4.8	4200	59.5	0.43	47.3	175	3




*All model could be customized. Please contact with Sunon Sales.


*Specifications subject to change without notice. Please Visit SUNON web site at <http://www.sunon.com> for update information.

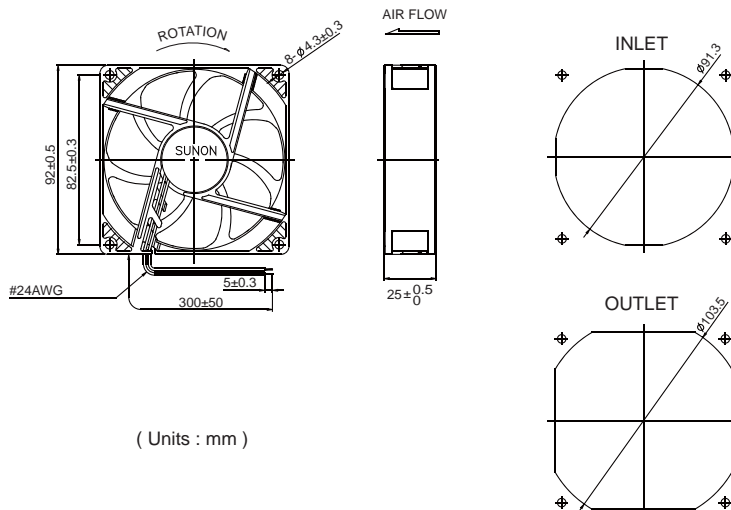
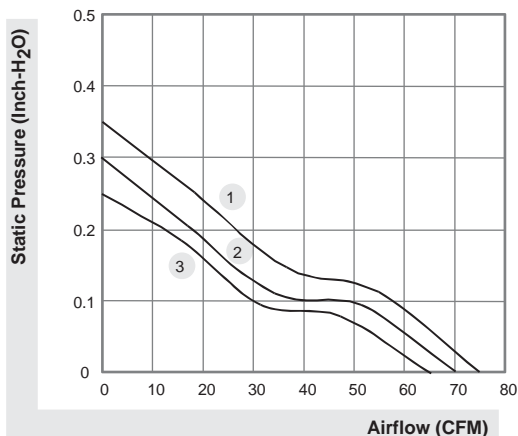
92x92x25 mm

65.0~75.0 CFM



	Bearing	Rating Voltage (VDC)	Power Current (mA)	Power Consumption (WATTS)	Speed (RPM)	Air Flow (CFM)	Static Pressure (Inch-H ₂ O)	Noise (dBA)	Weight (g)	Curve
	● VAPO									
PF92251V1-0000-A99	●	12	393	4.70	4500	75.0	0.35	46.0	103.0	1
PF92251V2-0000-A99	●	12	325	3.90	4200	70.0	0.30	44.0	103.0	2
PF92251V3-0000-A99	●	12	260	3.10	3900	65.0	0.25	42.0	103.0	3
PE92252V1-0000-A99	●	24	220	5.28	4500	75.0	0.35	46.0	103.0	1
PE92252V2-0000-A99	●	24	180	4.32	4200	70.0	0.30	44.0	103.0	2
PE92252V3-0000-A99	●	24	155	3.72	3900	65.0	0.25	42.0	103.0	3
PE92254V1-0000-A99	●	48	125	6.00	4500	75.0	0.35	46.0	103.0	1
PE92254V2-0000-A99	●	48	108	5.19	4200	70.0	0.30	44.0	103.0	2
PE92254V3-0000-A99	●	48	103	4.95	3900	65.0	0.25	42.0	103.0	3

Model		(VDC)	(mA)	(WATTS)	(RPM)	(CFM)	(Inch-H ₂ O)	(dBA)	(g)	Curve
PF92251B1-0000-A99	☉	12	393	4.70	4500	75.0	0.35	47.0	98.0	1
PF92251B2-0000-A99	☉	12	325	3.90	4200	70.0	0.30	45.0	98.0	2
PF92251B3-0000-A99	☉	12	260	3.10	3900	65.0	0.25	43.0	98.0	3
PE92252B1-0000-A99	☉	24	220	5.28	4500	75.0	0.35	47.0	103.0	1
PE92252B2-0000-A99	☉	24	180	4.32	4200	70.0	0.30	45.0	103.0	2
PE92252B3-0000-A99	☉	24	155	3.72	3900	65.0	0.25	43.0	103.0	3
PE92254B1-0000-A99	☉	48	125	6.00	4500	75.0	0.35	47.0	103.0	1
PE92254B2-0000-A99	☉	48	108	5.19	4200	70.0	0.30	45.0	103.0	2
PE92254B3-0000-A99	☉	48	103	4.95	3900	65.0	0.25	43.0	103.0	3



(Units : mm)

*All model could be customized. Please contact with Sunon Sales.

*Specifications are subject to change without notice. Please Visit SUNON web site at <http://www.sunon.com> for update information.

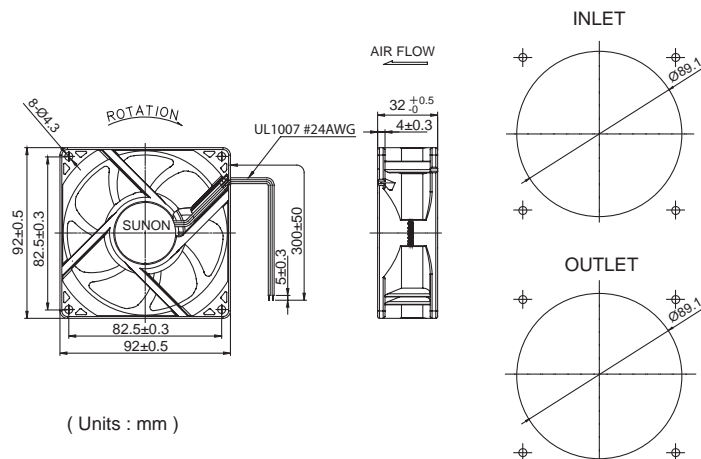
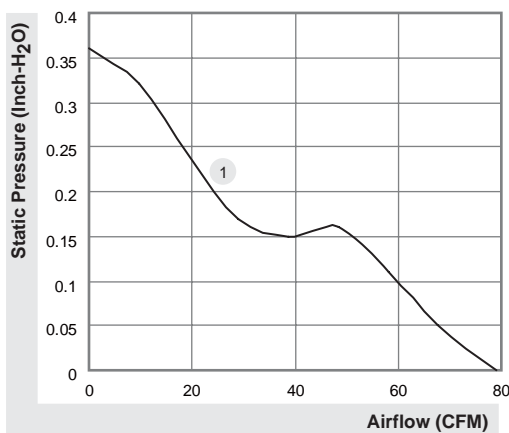
92x92x32 mm



79 CFM



	P/N	Bearing	Rating Voltage	Power Current	Power Consumption	Speed	Air Flow	Static Pressure	Noise	Weight	Curve
		● VAPO	(VDC)	(AMP)	(WATTS)	(RPM)	(CFM)	(Inch-H ₂ O)	(dBA)	(g)	
PSD1209PLV2-A	Z.GN	●	12	0.35	4.2	4000	79	0.36	42.1	186	1
PSD1209PLV2-A	Z.F.PWM.GN	●	12	0.35	4.2	4000	79	0.36	42.1	186	1



*All model could be customized. Please contact with Sunon Sales.

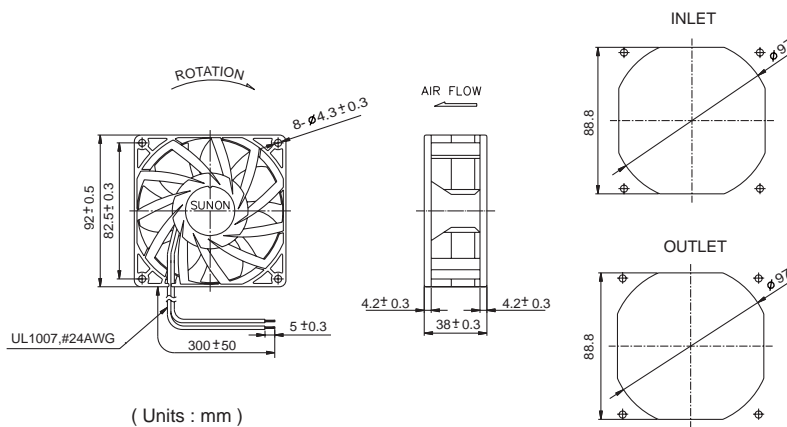
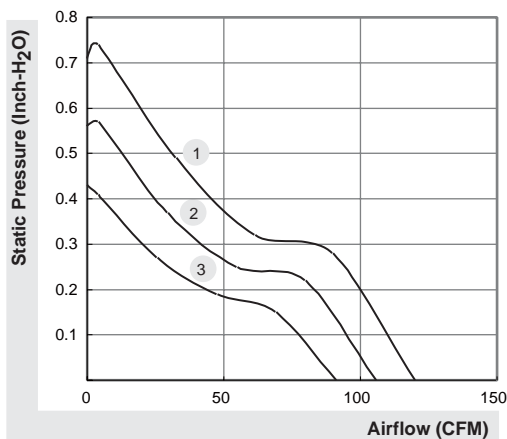
*Specifications are subject to change without notice. Please Visit SUNON web site at <http://www.sunon.com> for update information.

92x92x38 mm

91.7~120.2 CFM



Model	P/N	Bearing ● 2BALL ○ Sleeve	Rating Voltage (VDC)	Power Current (AMP)	Power Consumption (WATTS)	Speed (RPM)	Air Flow (CFM)	Static Pressure (Inch-H ₂ O)	Noise (dBA)	Weight (g)	Curve
PMD1209PMB1-A	(2).GN	●	12	1.04	12.5	4900	120.2	0.71	57.6	190	1
PMD1209PMB2-A	(2).GN	●	12	0.71	8.5	4400	106.3	0.56	53.8	190	2
PMD1209PMB3-A	(2).GN	●	12	0.47	5.6	3800	91.7	0.43	50.3	190	3
PMD2409PMB1-A	(2).GN	●	24	0.51	12.2	4900	120.2	0.71	57.6	190	1
PMD2409PMB2-A	(2).GN	●	24	0.40	9.6	4400	106.3	0.56	53.8	190	2
PMD2409PMB3-A	(2).GN	●	24	0.25	6.0	3800	91.7	0.43	50.3	190	3
PMD4809PMB1-A	(2).GN	●	48	0.24	11.5	4900	120.2	0.71	57.6	190	1
PMD4809PMB2-A	(2).GN	●	48	0.16	7.7	4400	106.3	0.56	53.8	190	2
PMD4809PMB3-A	(2).GN	●	48	0.12	5.8	3800	91.7	0.43	50.3	190	3



*All model could be customized. Please contact with Sunon Sales.

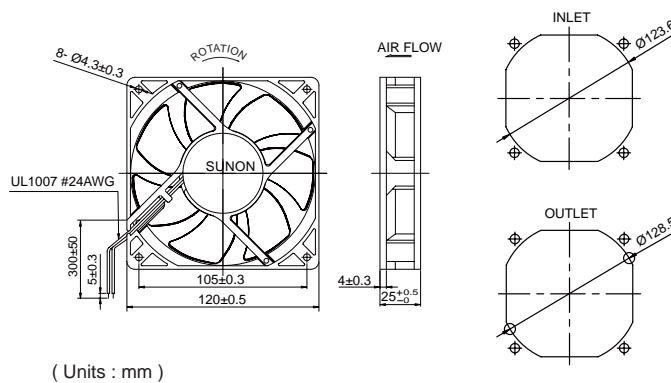
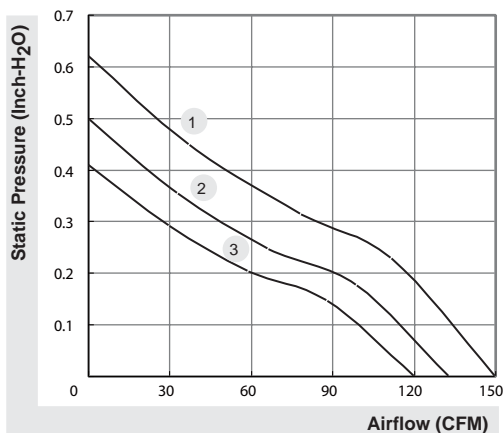
*Specifications subject to change without notice. Please Visit SUNON web site at <http://www.sunon.com> for update information.

120x120x25 mm

120~150 CFM



Model	P/N	Bearing ● 2BALL ○ Sleeve	Rating Voltage (VDC)	Power Current (AMP)	Power Consumption (WATTS)	Speed (RPM)	Air Flow (CFM)	Static Pressure (Inch-H ₂ O)	Noise (dBA)	Weight (g)	Curve
PMD1212PTB1-A	(2).GN	●	12	1.0	12.0	4500	150	0.62	54	220	1
PMD1212PTB2-A	(2).GN	●	12	0.72	8.6	4000	133	0.50	51	220	2
PMD1212PTB3-A	(2).GN	●	12	0.54	6.5	3600	120	0.41	48	220	3
PMD2412PTB1-A	(2).GN	●	24	0.49	11.8	4500	150	0.62	54	220	1
PMD2412PTB2-A	(2).GN	●	24	0.36	8.6	4000	133	0.50	51	220	2
PMD2412PTB3-A	(2).GN	●	24	0.28	6.7	3600	120	0.41	48	220	3
PMD4812PTB1-A	(2).GN	●	48	0.26	12.5	4500	150	0.62	54	220	1
PMD4812PTB2-A	(2).GN	●	48	0.19	9.1	4000	133	0.50	51	220	2
PMD4812PTB3-A	(2).GN	●	48	0.14	6.7	3600	120	0.41	48	220	3



*All model could be customized. Please contact with Sunon Sales.

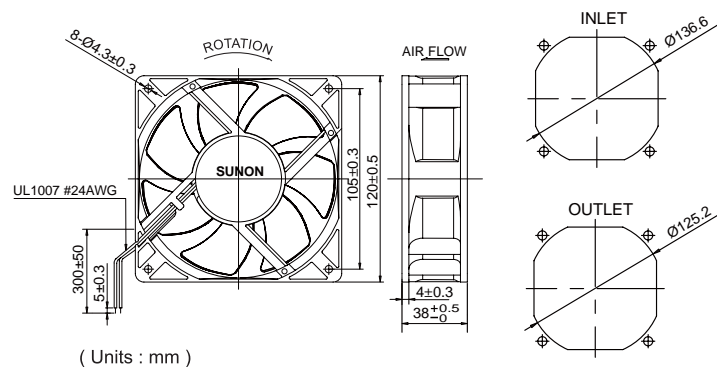
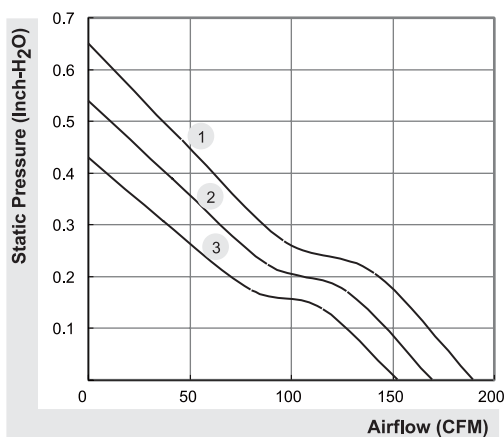
*Specifications subject to change without notice. Please Visit SUNON web site at <http://www.sunon.com> for update information.

120x120x38 mm

153~190 CFM



Model	P/N	Bearing ● 2BALL ○ Sleeve	Rating Voltage (VDC)	Power Current (AMP)	Power Consumption (WATTS)	Speed (RPM)	Air Flow (CFM)	Static Pressure (Inch-H ₂ O)	Noise (dBA)	Weight (g)	Curve
PMD1212PMB1-A	(2).GN	●	12	1.6	19.2	4200	190	0.65	54	330	1
PMD1212PMB2-A	(2).GN	●	12	1.2	14.4	3800	170	0.54	51	330	2
PMD1212PMB3-A	(2).GN	●	12	0.83	10.0	3400	153	0.43	48	330	3
PMD2412PMB1-A	(2).GN	●	24	0.76	18.2	4200	190	0.65	54	330	1
PMD2412PMB2-A	(2).GN	●	24	0.57	13.7	3800	170	0.54	51	330	2
PMD2412PMB3-A	(2).GN	●	24	0.42	10.1	3400	153	0.43	48	330	3
PMD4812PMB1-A	(2).GN	●	48	0.4	19.2	4200	190	0.65	54	330	1
PMD4812PMB2-A	(2).GN	●	48	0.3	14.4	3800	170	0.54	51	330	2
PMD4812PMB3-A	(2).GN	●	48	0.22	10.6	3400	153	0.43	48	330	3



*All model could be customized. Please contact with Sunon Sales.

*Specifications subject to change without notice. Please Visit SUNON web site at <http://www.sunon.com> for update information.